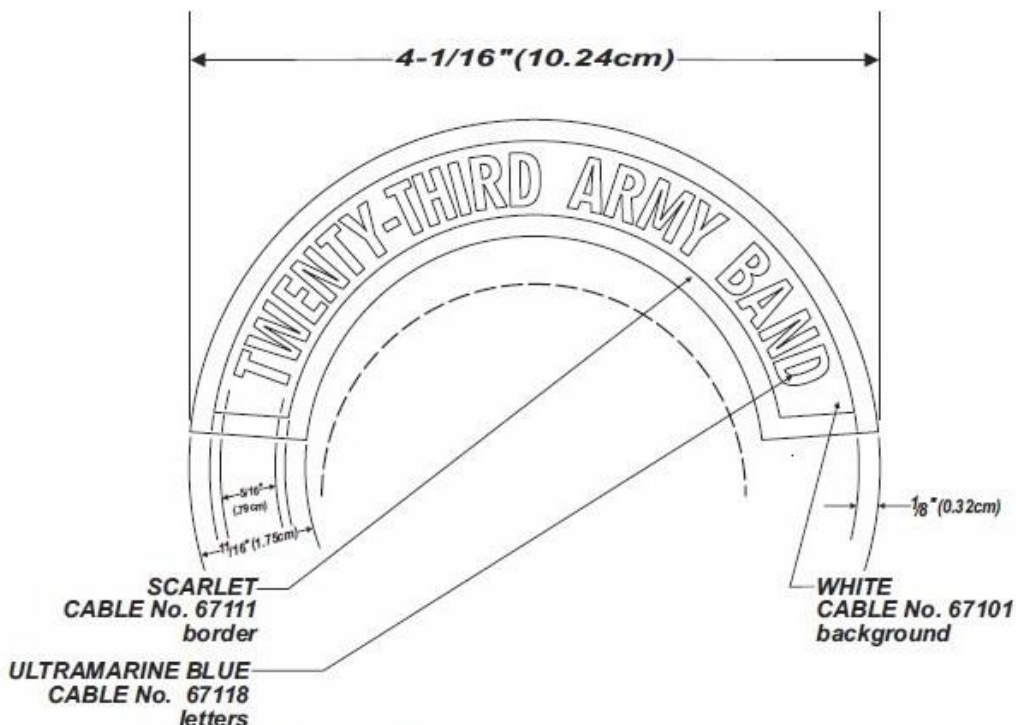


FOR SUBDUED TAB
ACU:
 RED AND BLUE AREAS TO BE BLACK
 67138. WHITE AREA TO BE FOLIAGE
 GREEN 67202.

REVISIONS			
LTR	DESCRIPTION	DATE	APPROVED
B	STITCH COUNT ADDED.	16 NOV 2009	pm SAO <i>Charles V. Mugno</i> CHARLES V. MUGNO DIRECTOR



DESIGNED FOR OVEREDGE STITCHING

STITCH COUNT

3662 STITCHES (minimum)
90/2 DENIER
8/4 SPAN

UNLESS OTHERWISE SPECIFIED DIMENSIONS ARE IN INCHES TOLERANCES ON FRACTIONS DECIMALS ANGLES

MATERIALS:
 TO BE MANUFACTURED IN ACCORDANCE WITH MIL-DTL-14652

EXAMINED	TLC	
CHECKED	pm	SAO
PREPARED	CA	

APPROVED
Charles V. Mugno
 CHARLES V. MUGNO
 DIRECTOR

THE INSTITUTE OF HERALDRY, DEPARTMENT OF THE ARMY
 9325 GUNSTON RD. S-113 FORT BELVOIR, VA 22060-5579

TAB
TWENTY-THIRD ARMY BAND
UTAH ARMY NATIONAL GUARD

SIZE	CONTROL IDENT. NO	
A	22571	A - 1 - 1009

SCALE FULL DATE 22 JULY 2009